

trim cutters & granulators

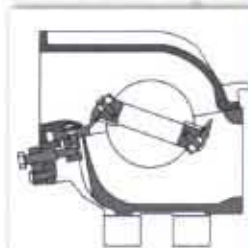


78 SERIES:

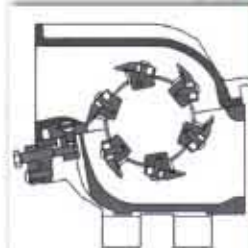


78-FP Shown

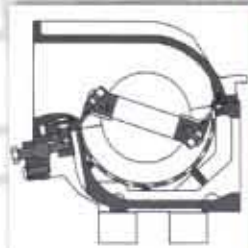
78 series variations:



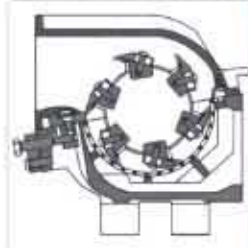
78-FP, 78-FSP CUTTER



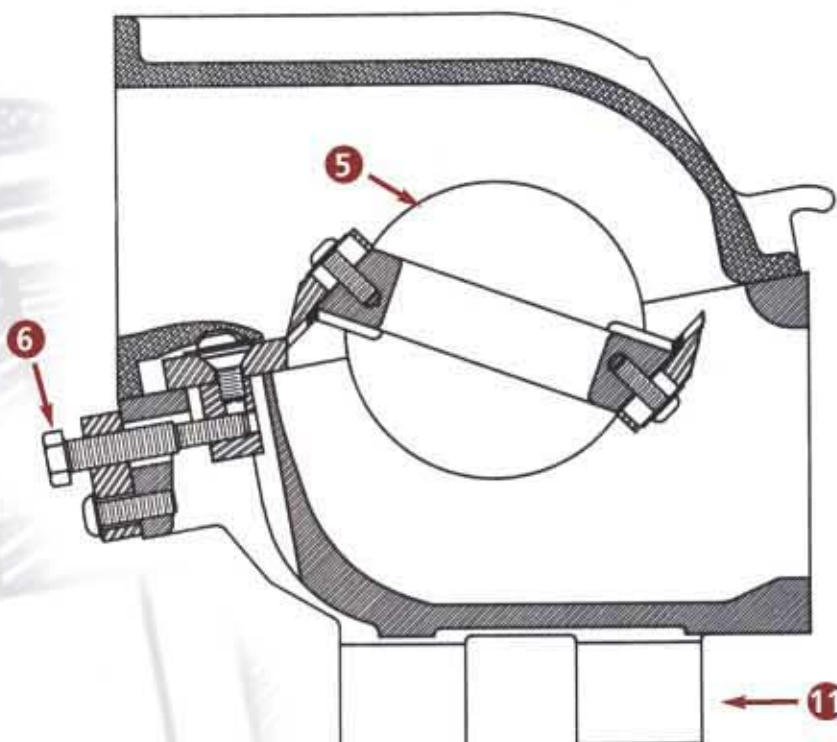
78-FP-6, 78-FSP-6 CUTTER



78-GP-2 GRANULATOR



78-GP-6 GRANULATOR



features:

- 1 Angled rotor knives to provide shock-free, efficient cutting and low noise levels.
- 2 "Wrap-free" performance due to shaftless cutting chamber and external rotor end disc.
- 3 Open box rotor for free passage of air and minimal pressure drop.
- 4 Cast aluminum top cover easily removed to provide complete maintenance access.
- 5 Large diameter end discs provide high rotor inertia for low speed applications.
- 6 Differential screw adjustment of bed knife allows for extremely precise cutting clearances between rotor knives and bed knife. (see table)
- 7 Class ABEC-7 super precision ball bearings. "Preloaded" with disc springs. No adjustment or lubrication of bearing is required. Mounted "outboard" to prevent contamination.
- 8 Flange mounted motor provides most compact arrangement possible.
- 9 Cast-iron housing, shear angle rotor, ribbed top cover and radiused corners all act to keep noise radiation to an absolute minimum. Sound enclosures only needed in extreme applications.
- 10 Optional: Easily replaceable, 180° granulation screen available in screen hole sizes: 1/8", 3/16", 1/4", 3/8", 1/2", 3/4", 1", 1-1/2", 2". (Special sizes on request)
- 11 Flexible mounts for isolating cutter from mounting surface to protect cutting clearance.
- 12 Component materials:
 - Housing.....cast iron
 - Rotorductile iron, dynamically balanced
 - Top cover (hood).....cast aluminum
 - Knives available in.....AISI D-2
AISI A-11 (CPM-10V)
Tungsten Carbide



NOTE: All models available in "Rear" or "Bottom" Discharge.



PRECISION CUTTING CLEARANCES			
CLASS OF CUTTER	CUT	SCORE	CUTTING CLEARANCE
FSP, spin grind in cutter	1/2 mil film	1/4 mil	< .00025"
FP, GP, spin grind in cutter	1 mil film	1/2 mil	< .0005"
FP, GP, spin grind out of cutter (matched set)	1.5 mil	1.0 mil	< .001"

NOTE: See maintenance instructions for complete description and procedures. Every unit inspected and shipped with "film score" (see table) to verify accuracy.

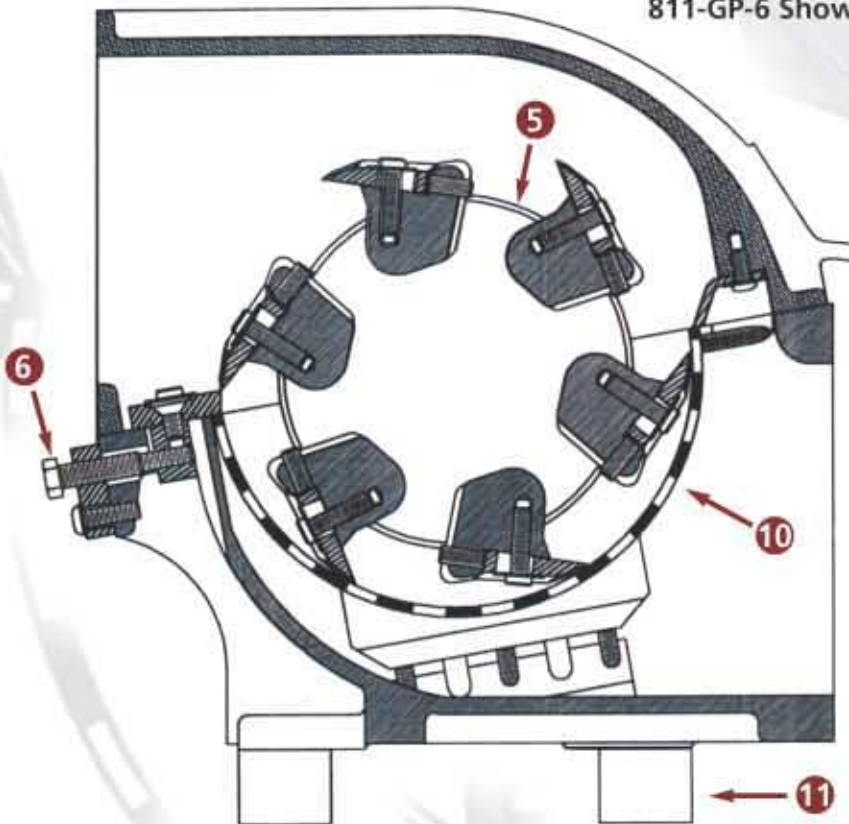


811 SERIES:



811 series variations:

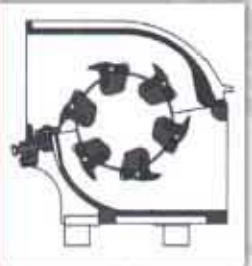
811-GP-6 Shown



811-FP CUTTER



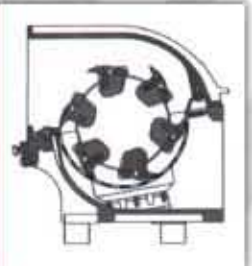
811-FP-6 CUTTER



811-GP-2 GRANULATOR



811-GP-6 GRANULATOR



Standard of the Industry.....

.....Timeless Design...

...Bullet Proof.....

...Worry-Free System

Our customers have used all these phrases over the years to describe PAC products. We're proud of our 30-year track record of performance and durability.

PAC trim cutters and granulators are a result of a brilliant yet simple design, improved over the years by continued lab testing; constant attention to new, improved and innovative manufacturing methods; and adherence to a strict quality control program.

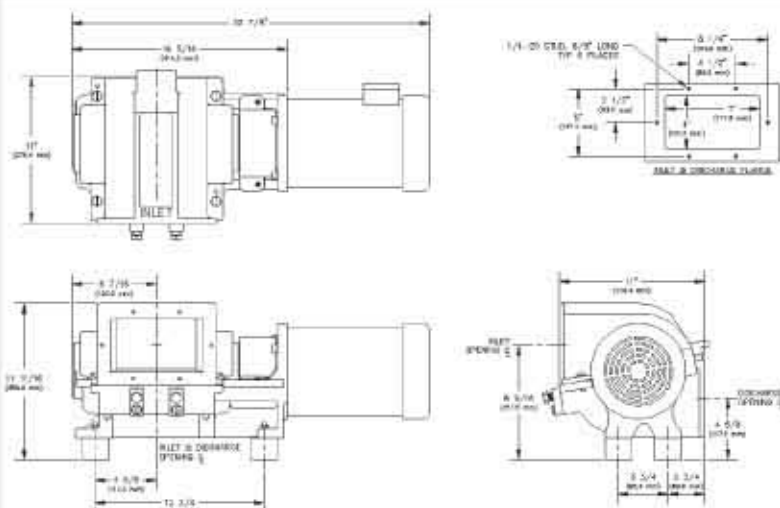
And, because we listen to what our customers have to say about us, we offer the widest variety of options in the industry. No matter what your need, we'll satisfy your requirements related to cutter/granulator sizes, knife materials, feeding arrangements, screen hole sizes, degrees of precision and maintenance options.

Whether you need PAC to retrofit a cutter into an existing system, or work with you on a complete trim removal system, our staff of professional engineers is ready to provide a guaranteed solution.

PRODUCT VARIATIONS	MODELS	TYPE	#ROTOR KNIVES	"STD" MOTOR HP	INLET/OUTLET	X LINE SIZE
	78-FP	Cutter	2	1	4" x 7"	6"
	78-FSP	Cutter	2	1	4" x 7"	6"
	78-FP-6	Cutter	6	1	4" x 7"	6"
	78-FSP-6	Cutter	6	1	4" x 7"	6"
	78-GP-2	Granulator	2	5	4" x 7"	6"
	78-GP-6	Granulator	6	5	4" x 7"	6"
	811-FP	Cutter	2	2	8" x 11"	10"
	811-FP-6	Cutter	6	2	8" x 11"	10"
	811-GP-2	Granulator	2	5	8" x 11"	10"
811-GP-6	Granulator	6	7.5	8" x 11"	10"	

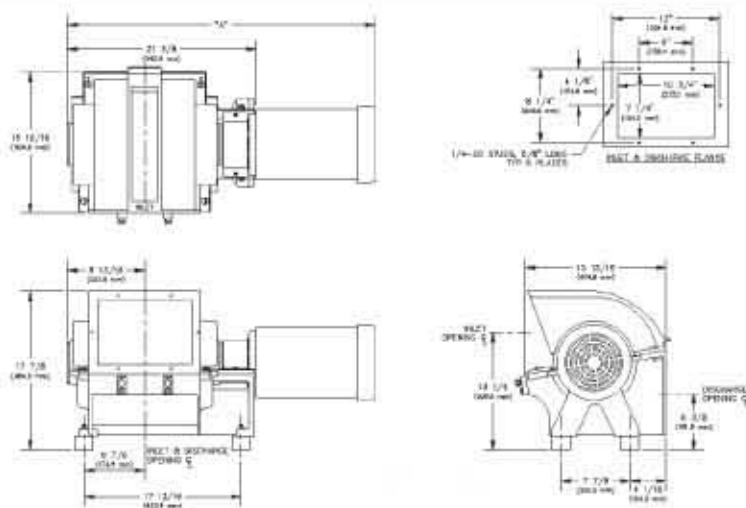
NOTE: "BD" after model # indicates "Bottom Discharge" (Available in all models).

78 dimensions:



AVAILABLE DRIVES				
MOTOR HP	MOTOR RPM	GEAR REDUCTION	FINAL RPM	OVERALL LENGTH "A"
1/2	1800	2:1	900	32.78" (832.6 mm)
1/2	1800	3:1	600	32.78" (832.6 mm)
1/2	1800	4:1	450	32.78" (832.6 mm)
1/2	1800	5:1	360	32.78" (832.6 mm)
1	1200	N/A	1200	29.06" (738.2 mm)
1	1800	N/A	1800	28.06" (712.8 mm)
1	3600	N/A	3600	27.06" (687.4 mm)
2	1800	N/A	1800	29.06" (738.2 mm)
3	1800	N/A	1800	31.06" (789.0 mm)
5	1800	N/A	1800	32.06" (814.4 mm)

811 dimensions:



AVAILABLE DRIVES				
MOTOR HP	MOTOR RPM	GEAR REDUCTION	FINAL RPM	OVERALL LENGTH "A"
1	1800	2:1	900	38.53" (978.7 mm)
1	1800	3:1	600	38.53" (978.7 mm)
1	1800	4:1	450	38.53" (978.7 mm)
1	1800	5:1	360	38.53" (978.7 mm)
2	1200	N/A	1200	36.13" (917.6 mm)
2	1200	2:1	600	41.53" (1054.9 mm)
2	1200	3:1	400	41.53" (1054.9 mm)
2	1200	4:1	300	41.53" (1054.9 mm)
2	1800	N/A	1800	34.13" (866.8 mm)
3	1800	N/A	1800	36.13" (917.6 mm)
5	1800	N/A	1800	37.13" (943.0 mm)
7-1/2	1800	N/A	1800	41.13" (1044.6 mm)



Precision AirConvey Corporation
 210 Executive Drive #6
 Pencader Corporate Center
 Newark, DE 19702

Phone: 302.999.8000
 Fax: 302.999.8510
 E-mail: get-facts@airconvey.com
 Web site: www.precisionairconvey.com